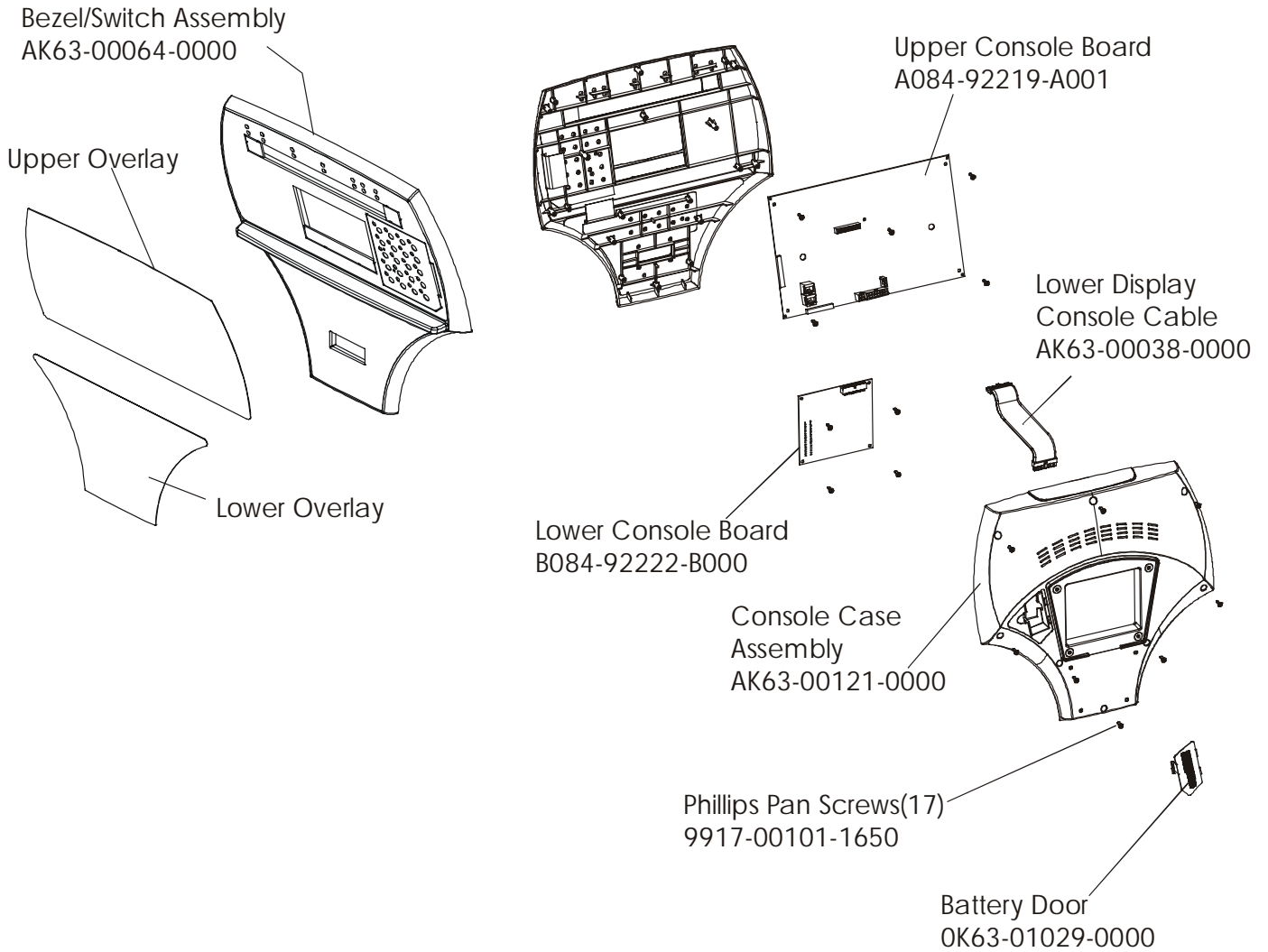


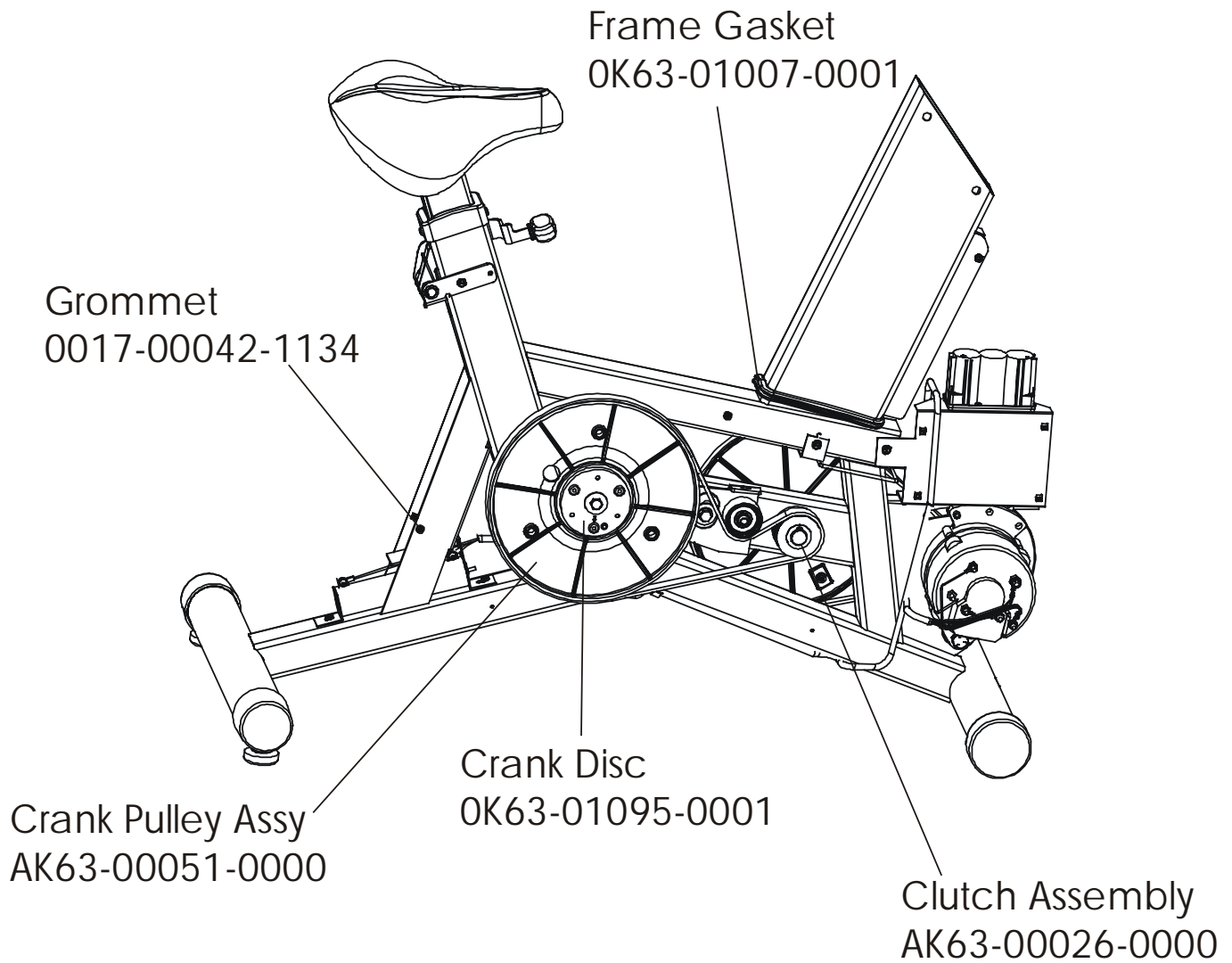
Operation Manual	M051-00K20-A347
Service Manual	M051-00K39-A012
Polar Transmitter XS	AK40-00045-0003
Polar Transmitter MED	AK40-00045-0002
Polar Transmitter XL	AK40-00045-0004
Optional Power Plug-In Unit (Not a battery charger)	
Kit SERV Power 120/60	GK63-00002-0005
Kit SERV Power 220/50UK	GK63-00002-0039
Kit SERV Power 240UK	GK63-00002-0040
Kit SERV Power 220/50CON	GK63-00002-0041

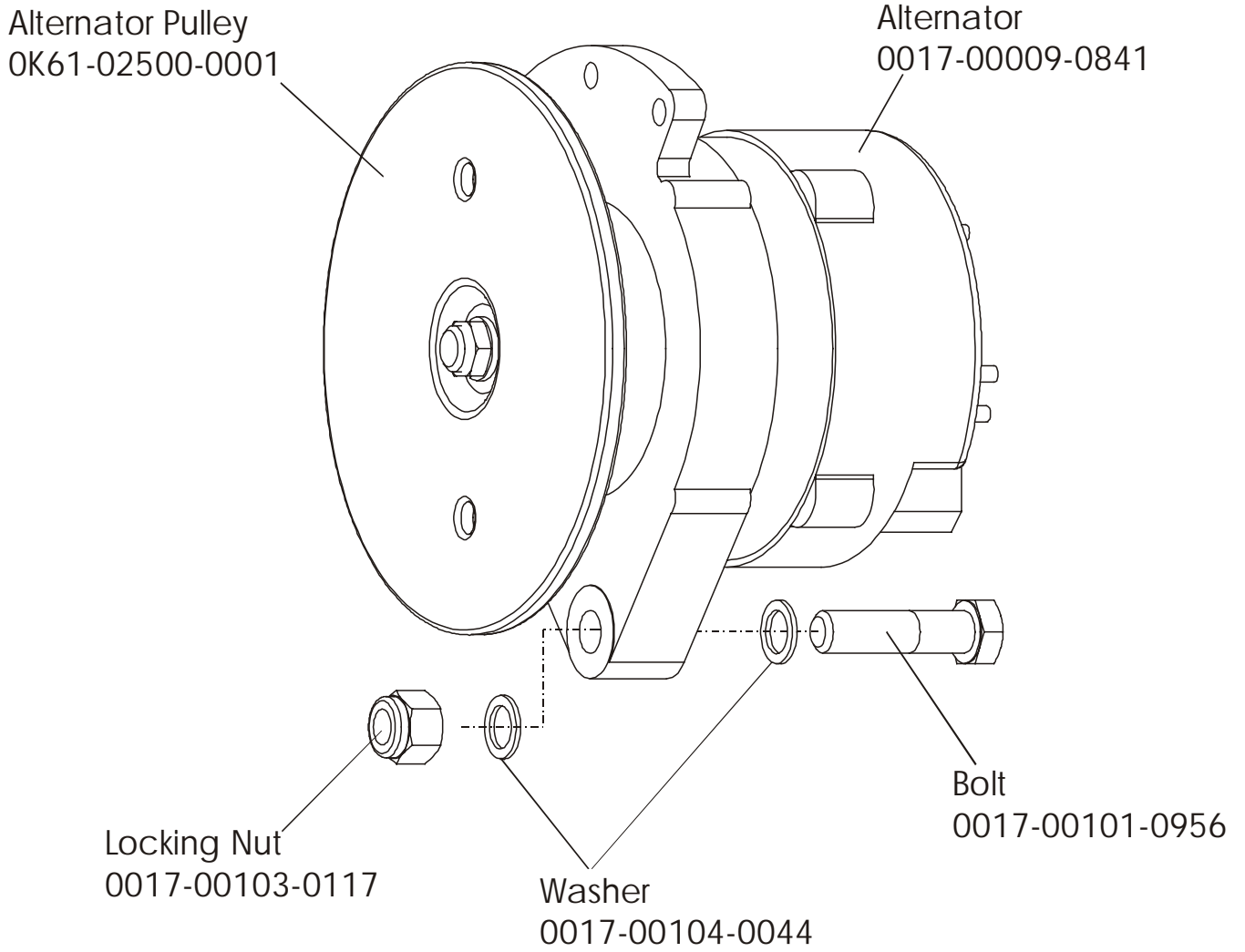
**LifeCycle LC9500XXL**  
**Console Overlay Bezel Assembly**

**LC95-0000-13, LC95-0601-13**

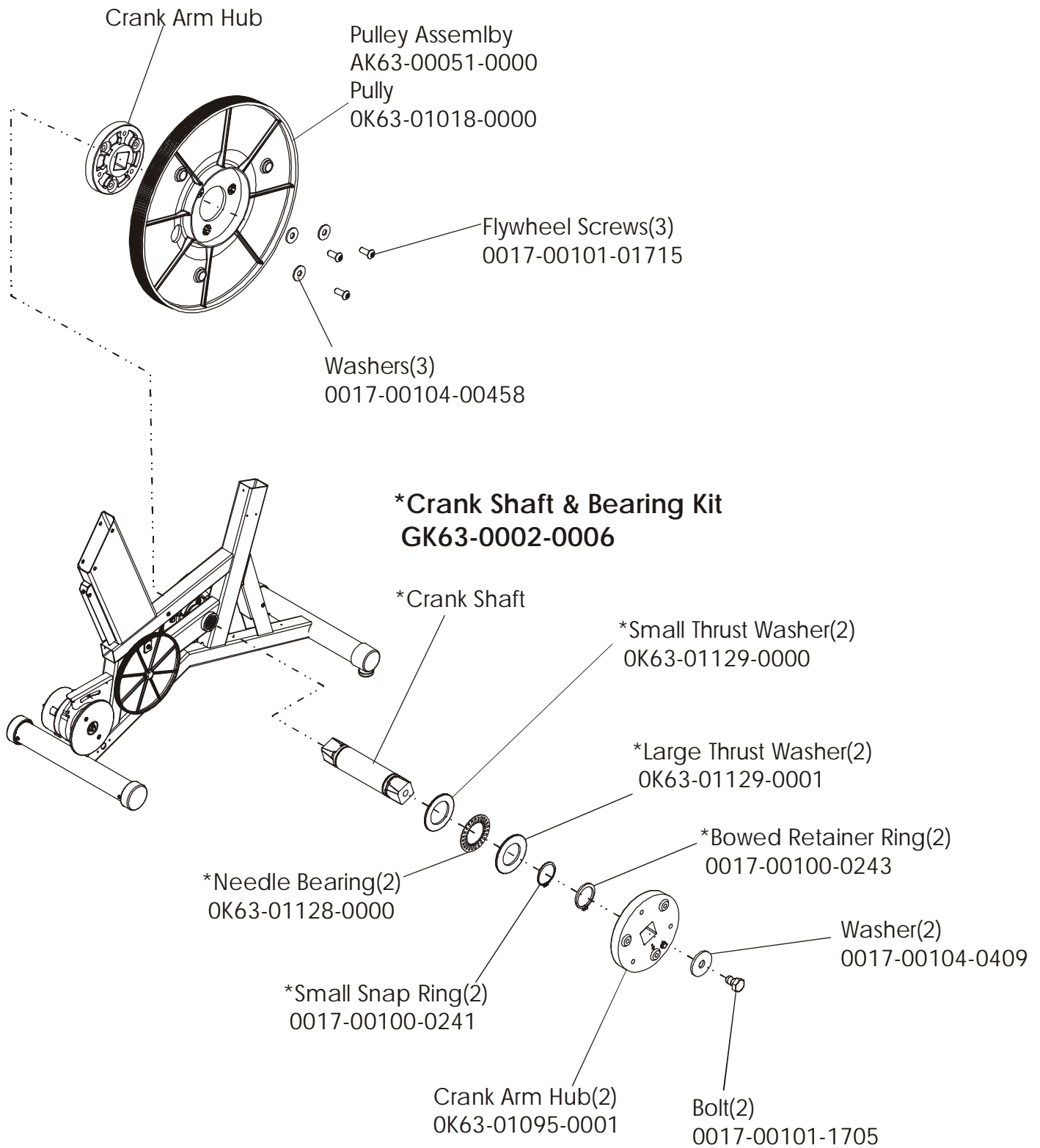


Console Assembly	Overlay Bezel	Upper Overlay	Lower Overlay
AK63-00141-0001 Eng Met	AK63-00142-0001 Eng Met	OK63-01255-0001 Eng Met	OK63-01098-0001 Eng Met
AK63-00141-0009 Dut Met	AK63-00142-0009 Dut Met	OK63-01255-0009 Dut Met	OK63-01098-0009 Dut Met



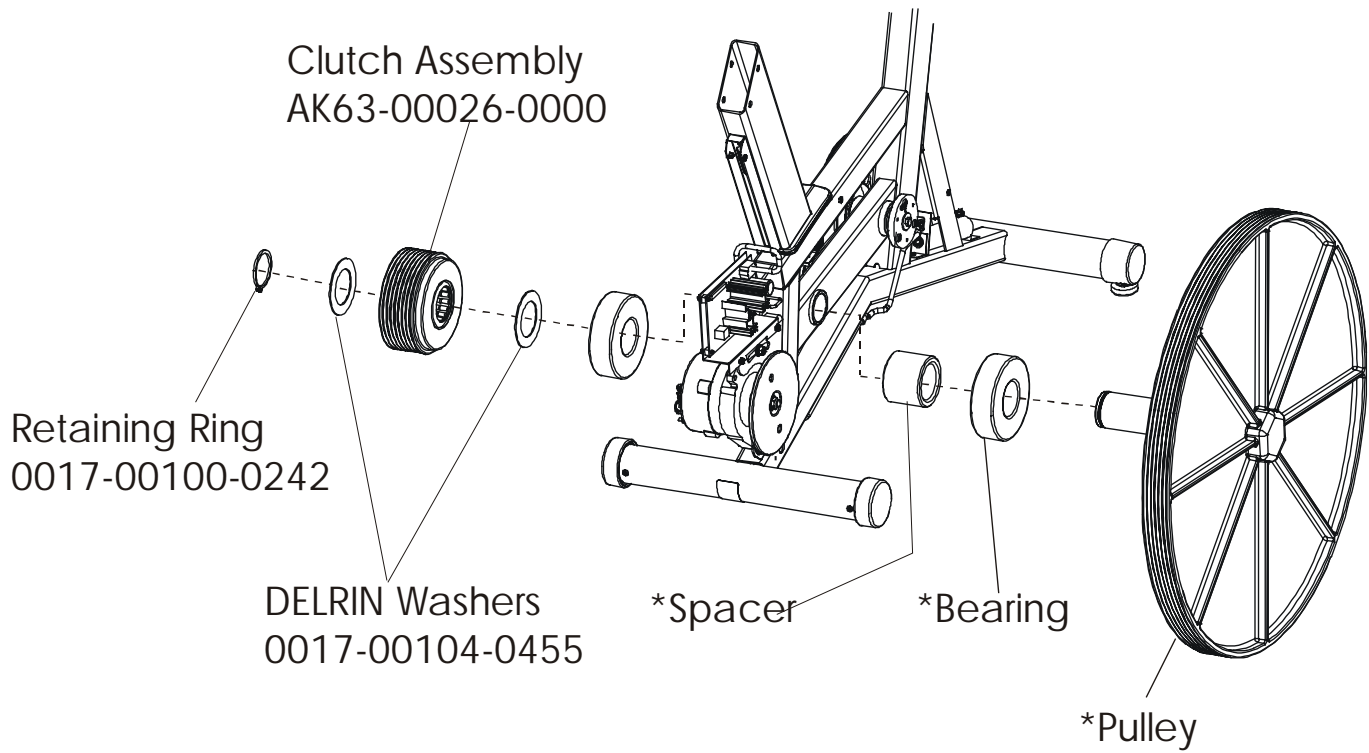


**Crank Shaft and Crank Bearing Assembly - GK63-00002-00006**



**Intermediate Shaft and Bearing Assembly – GK63-00002-0007**

---

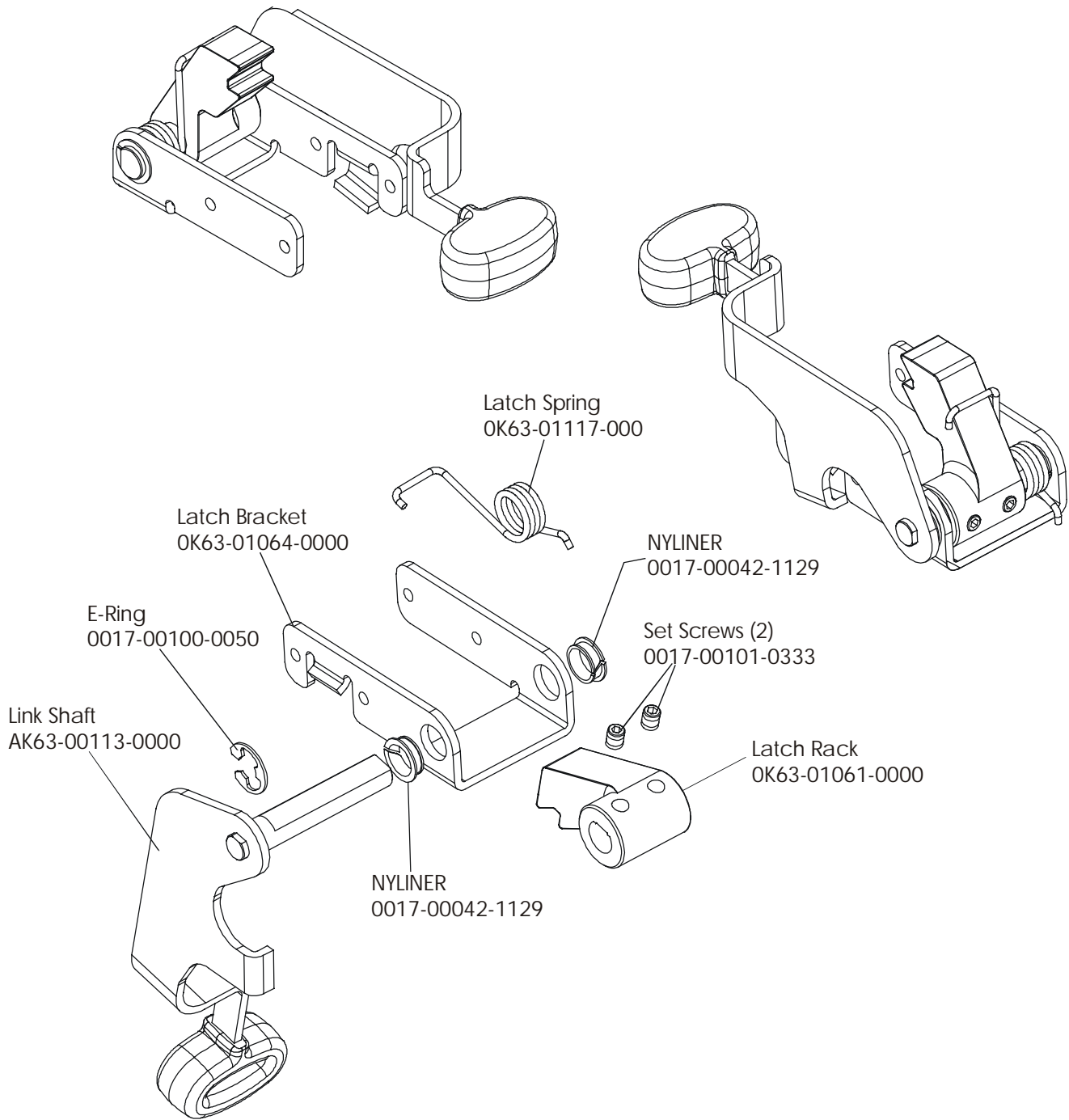


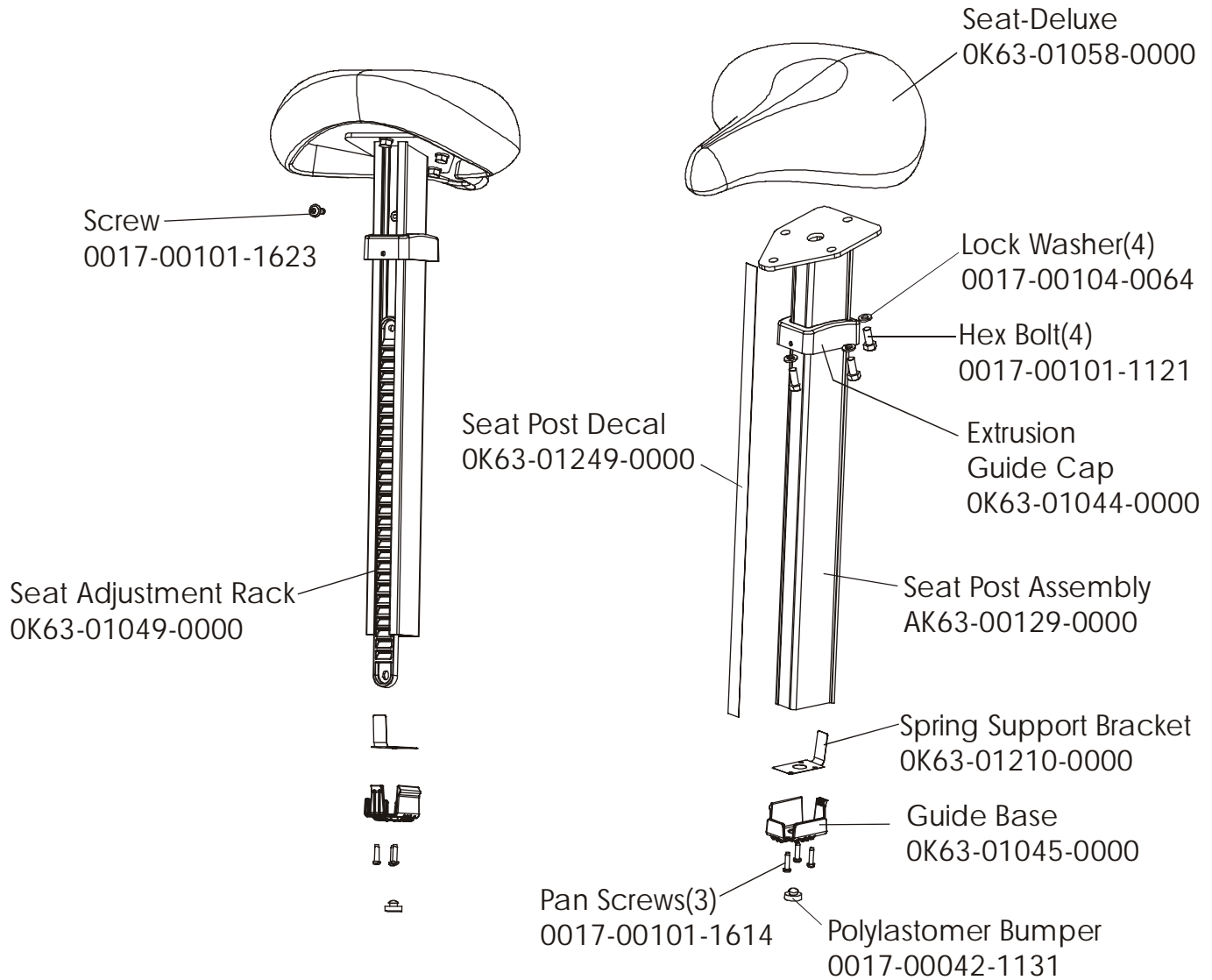
Note: GK63-00002-0007 Kit includes all parts above.

Items with an asterisk (\*) symbol next to the name, cannot be purchased separately.

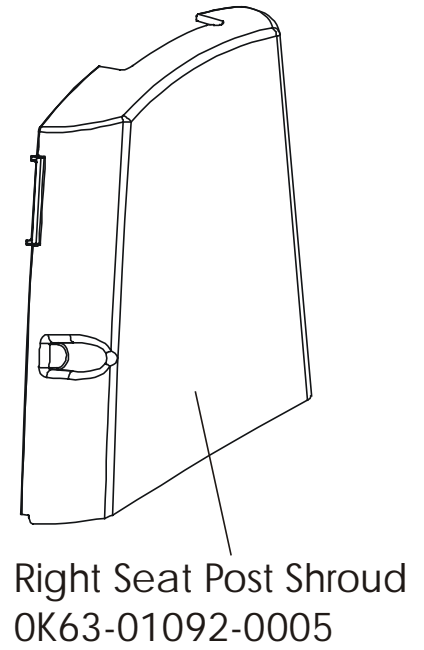
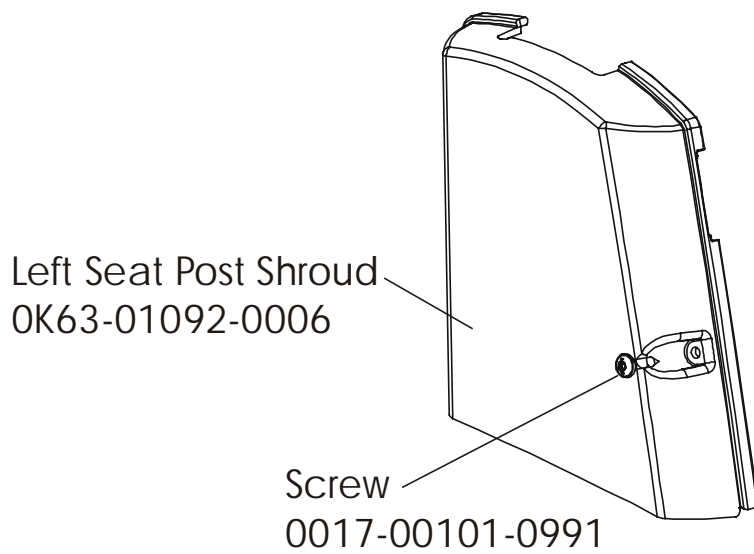
**LifeCycle LC9500XXL**  
**Seat Latch Assembly - AK63-00043-0000**

**LC95-0000-13, LC95-0601-13**



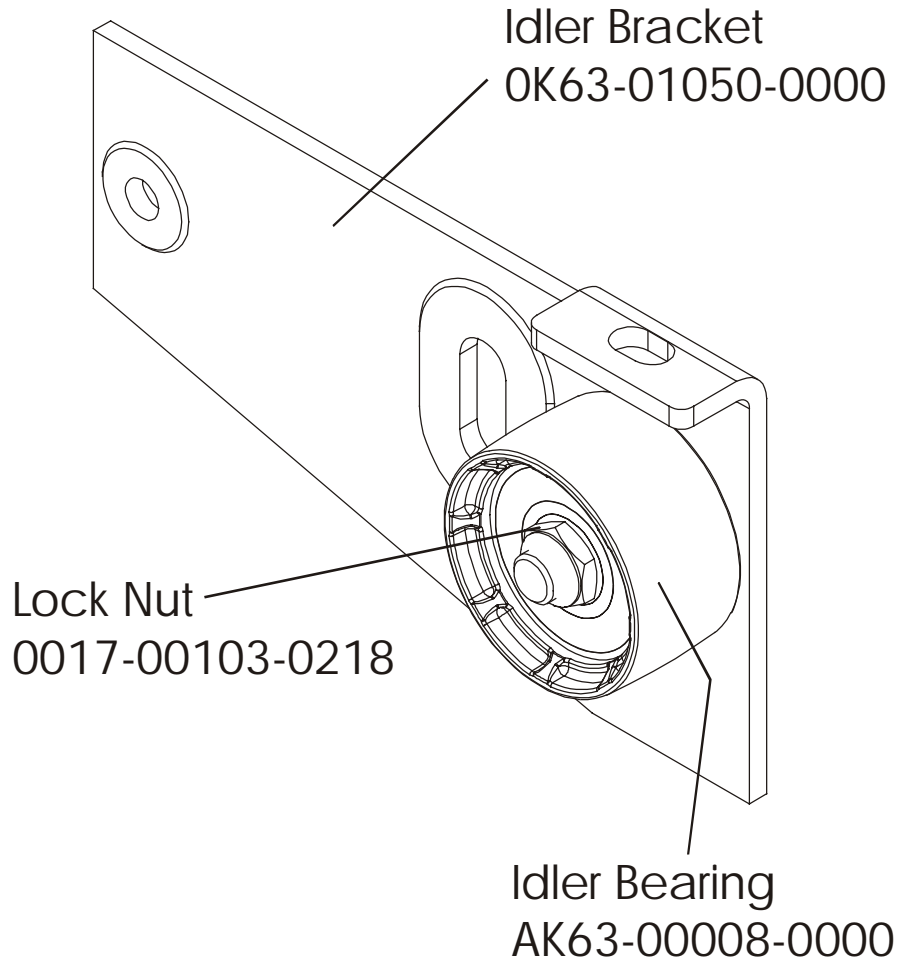






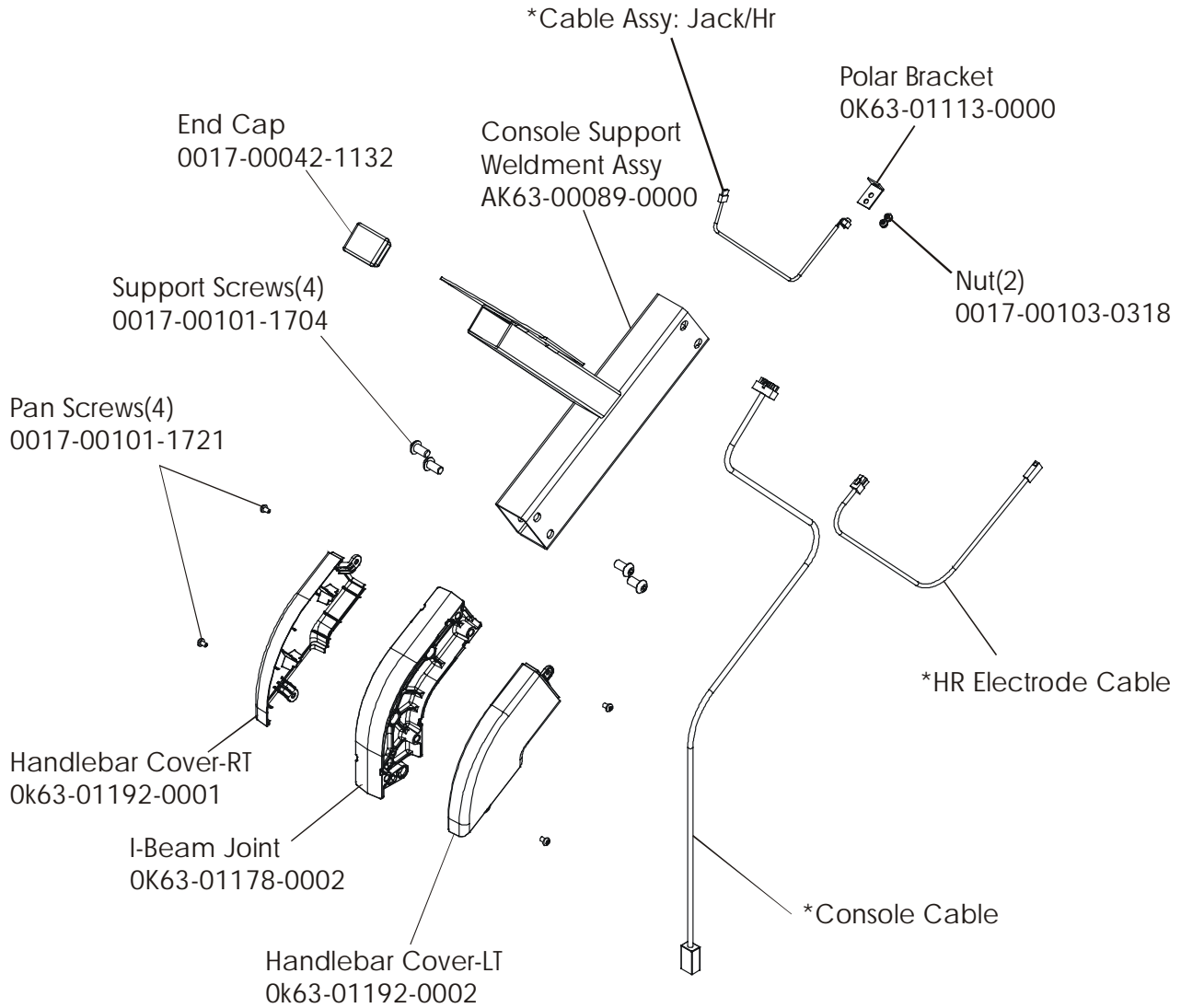
**Idler Bracket Assembly - AK63-00021-0000**

---



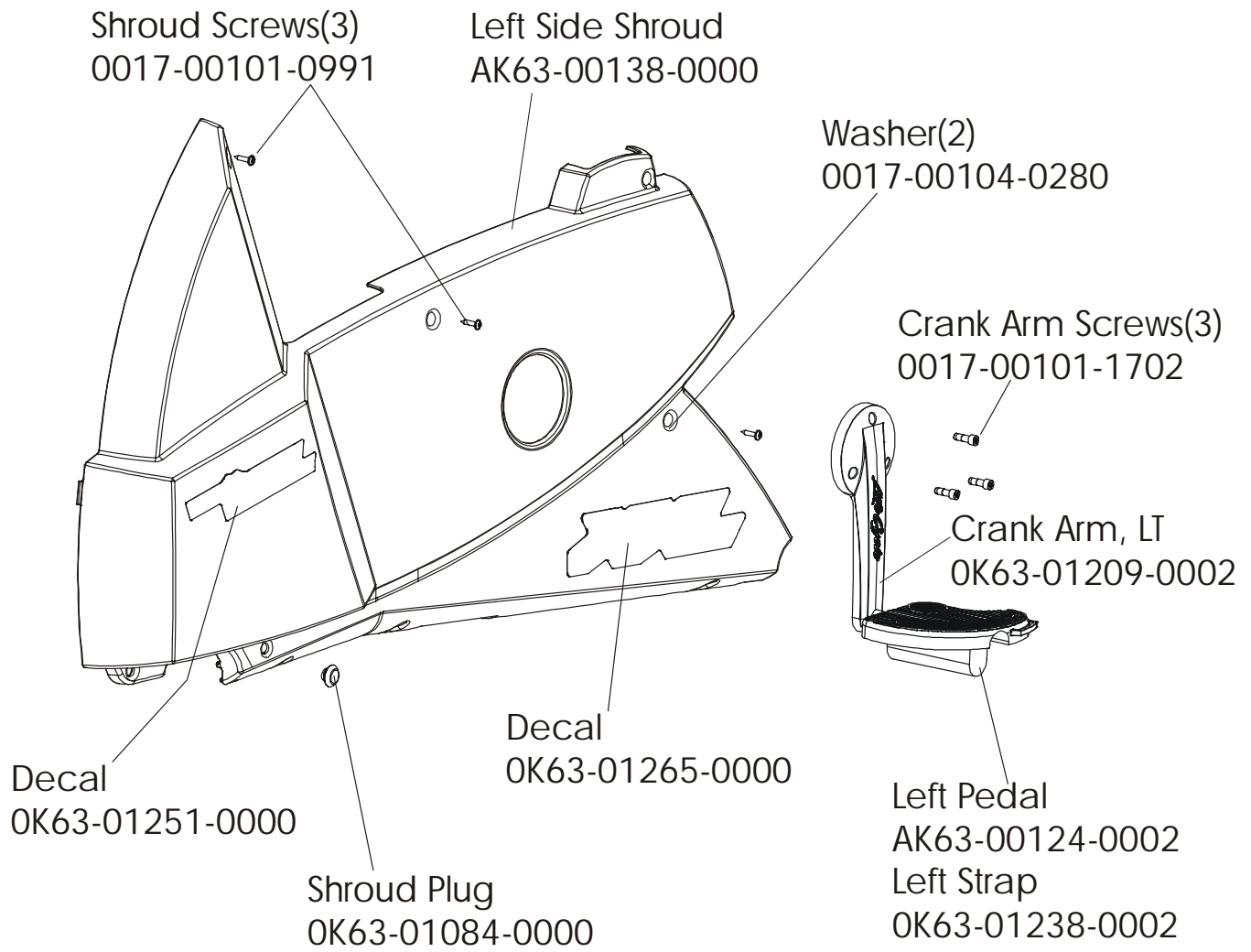
**Console Support Assembly - AK63-00139-0000**

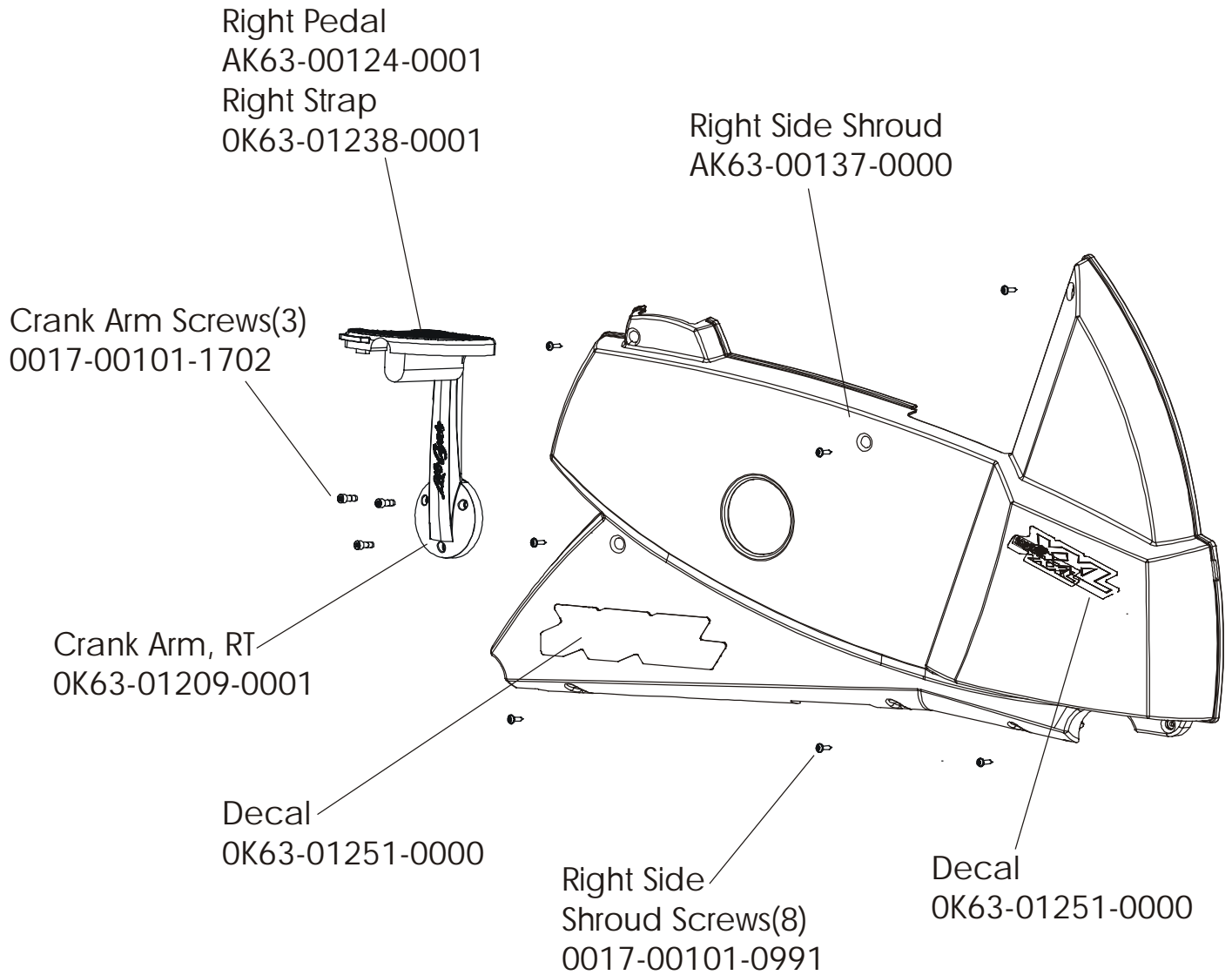
---



Note: GK63-00139-0000 Kit includes all parts above.

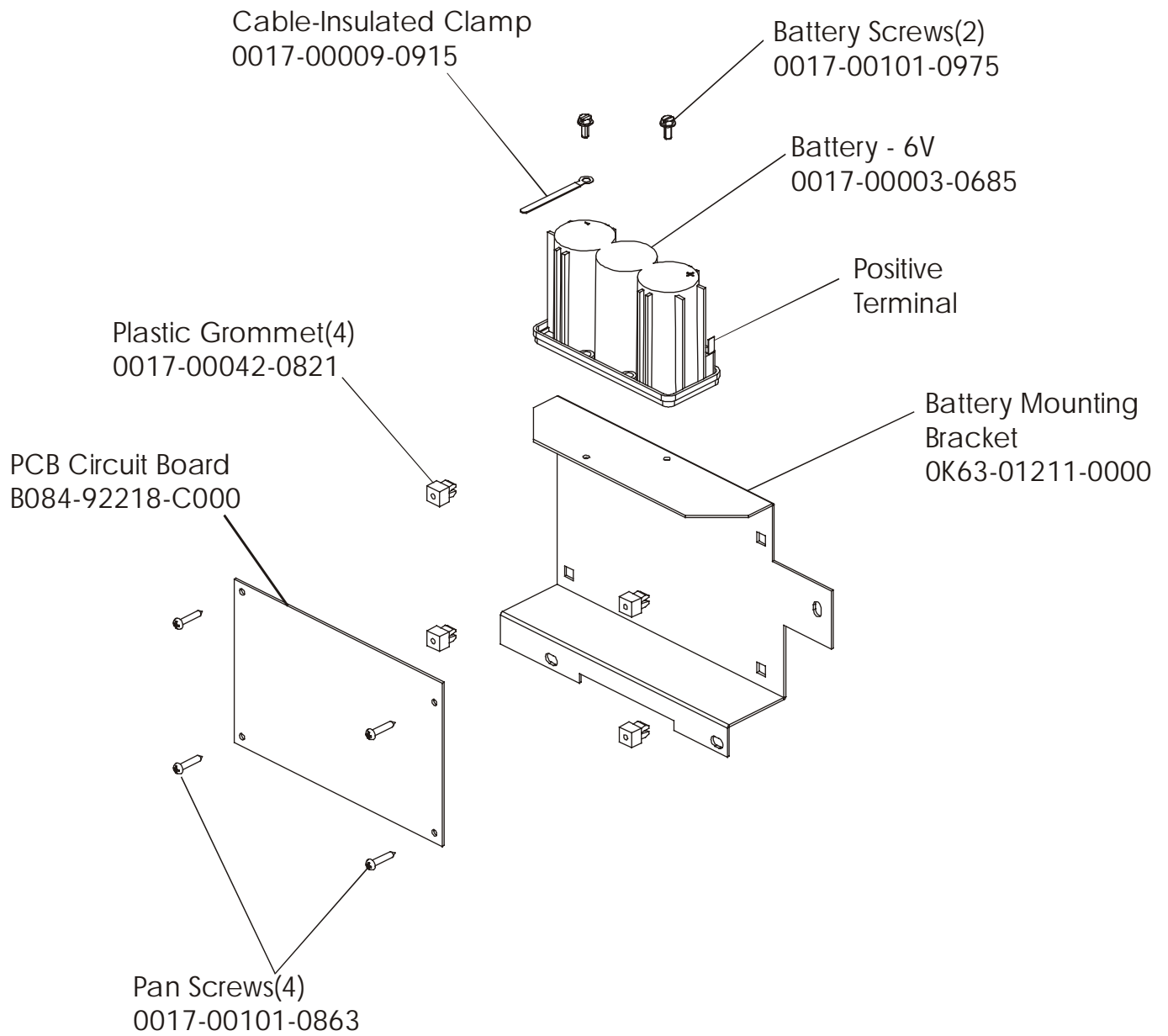
Items with an asterisk (\*) symbol next to the name, cannot be purchased separately.

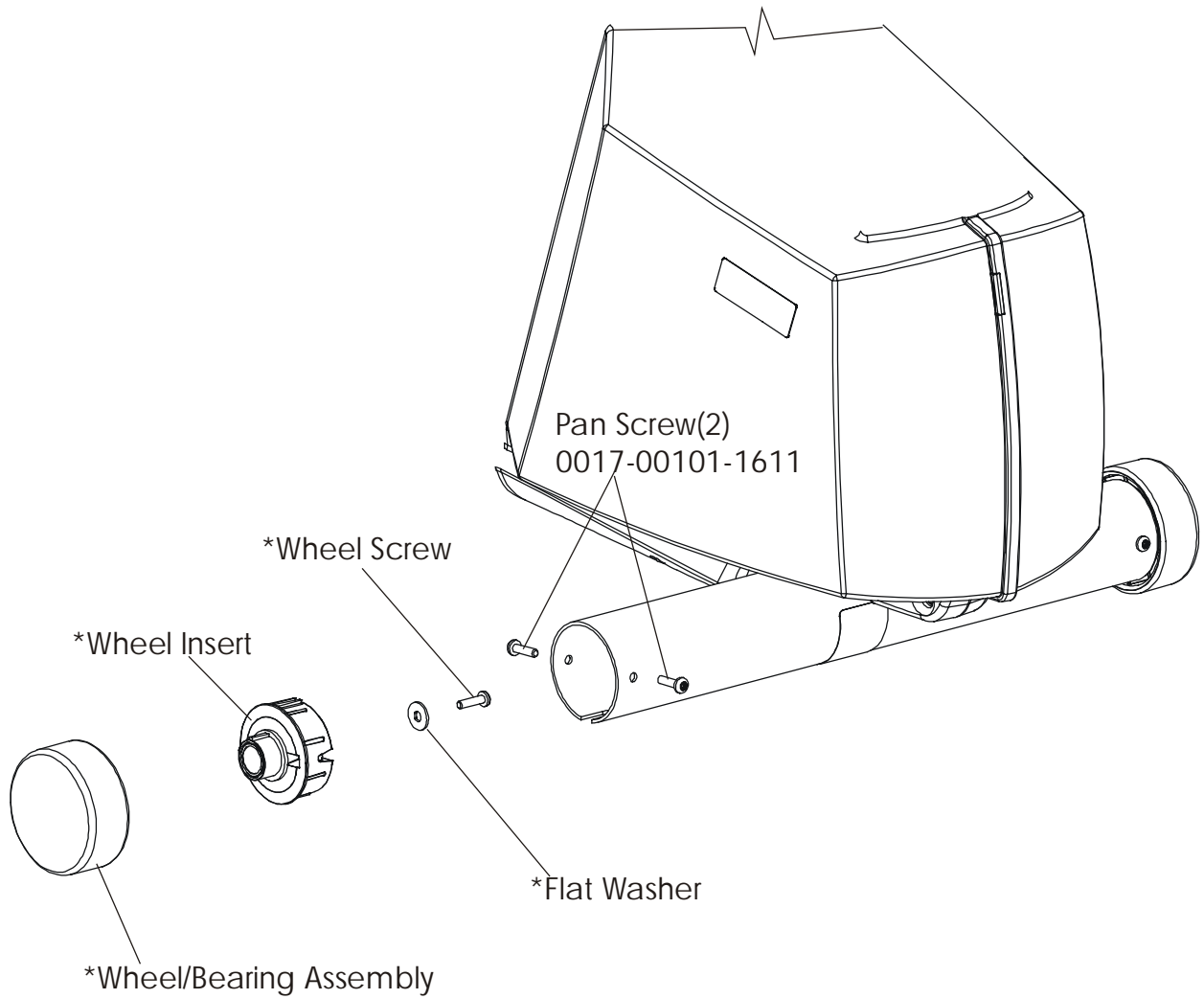




**P.C.B. Mounting Bracket Assembly – AK63-00049-0000**

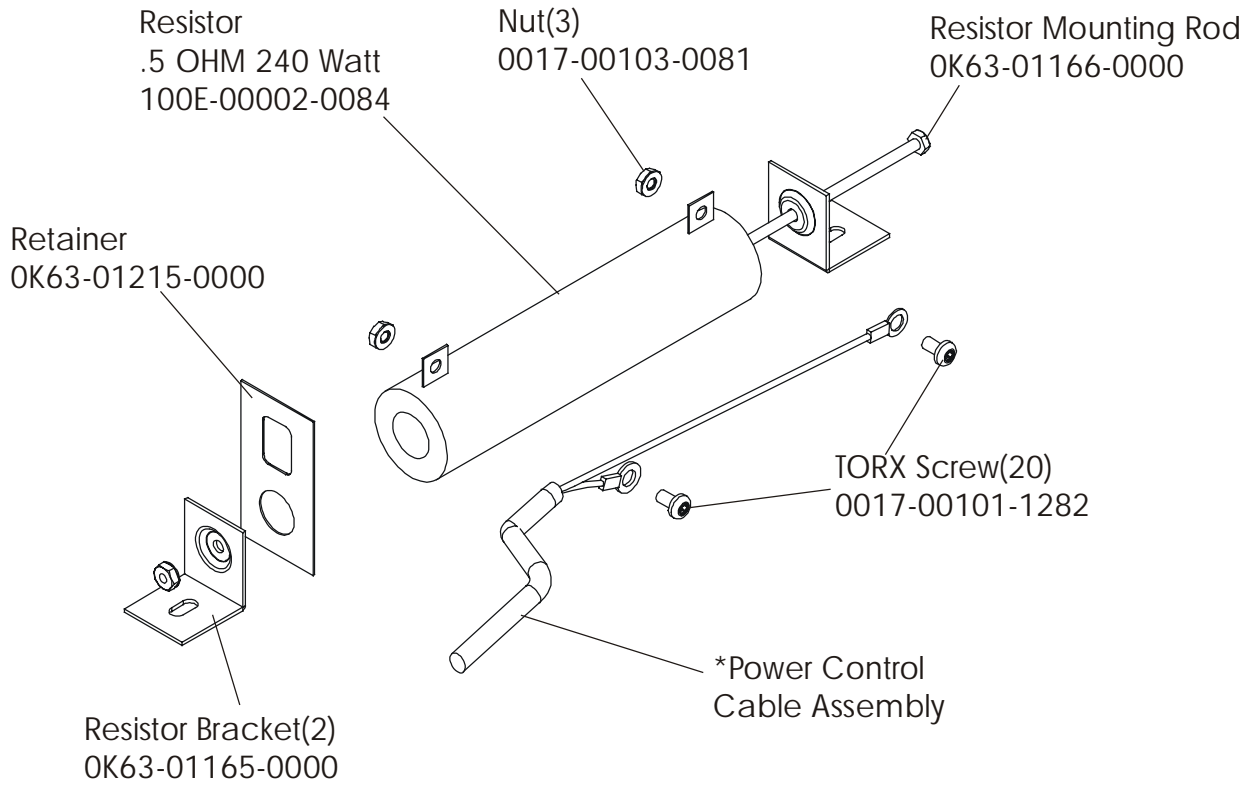
---





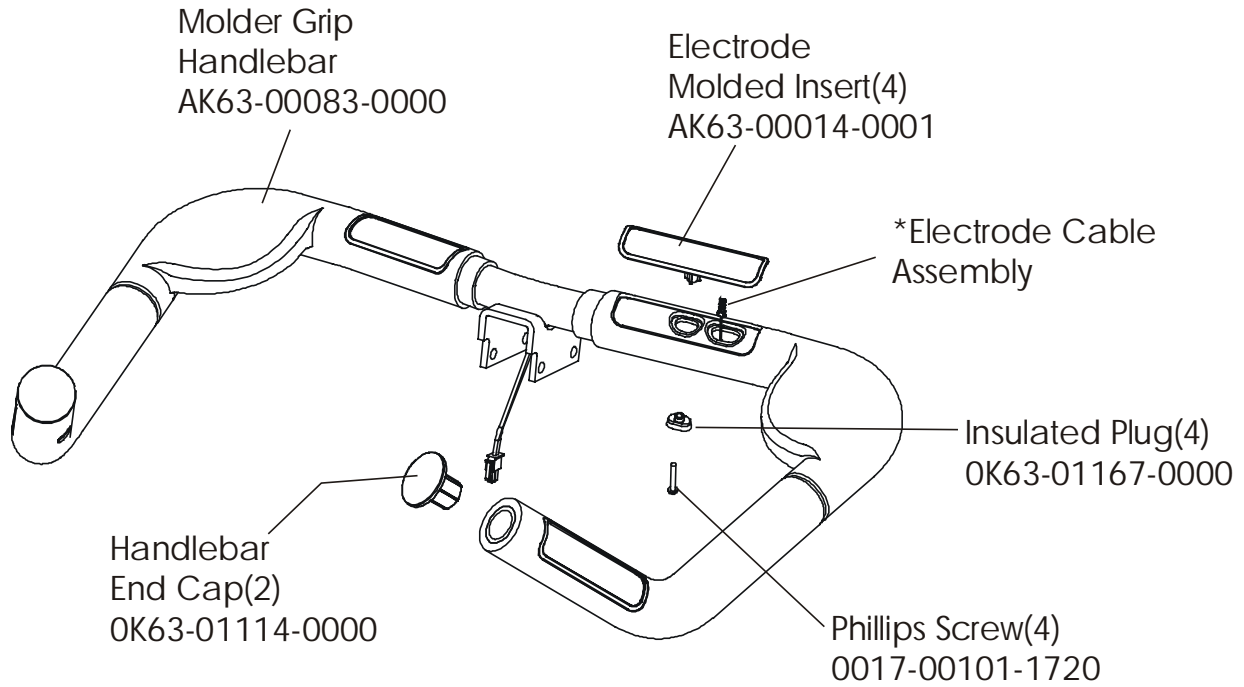
Note: AK63-00017-0000 Assembly includes all parts above.

Items with an asterisk (\*) symbol next to the name, cannot be purchased separately.



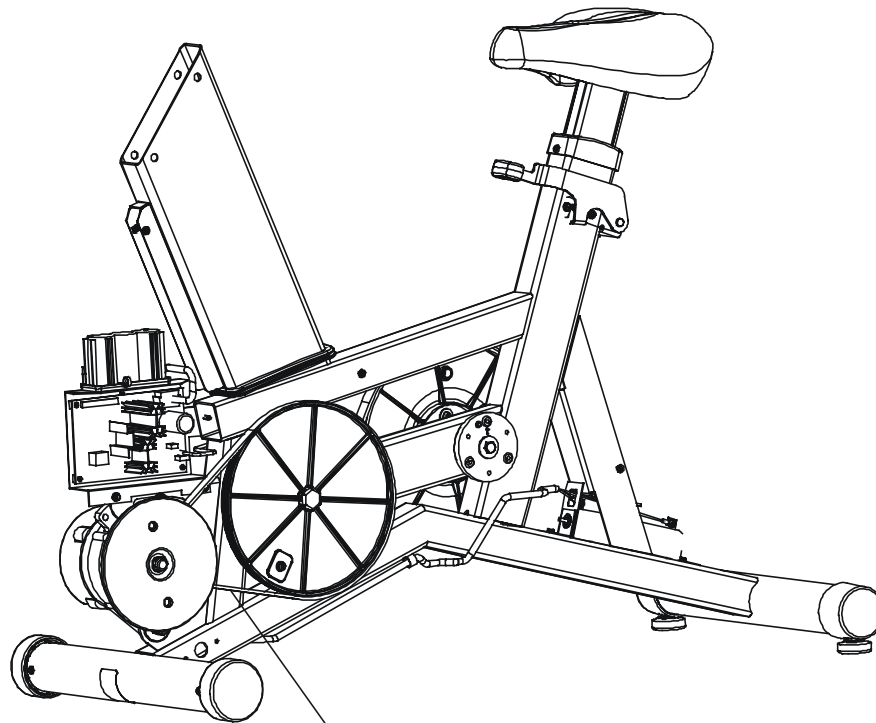
\*Items with an Asterisk (\*) symbol next to the part name, are “Hot-Linked” to the block diagram on the last page.



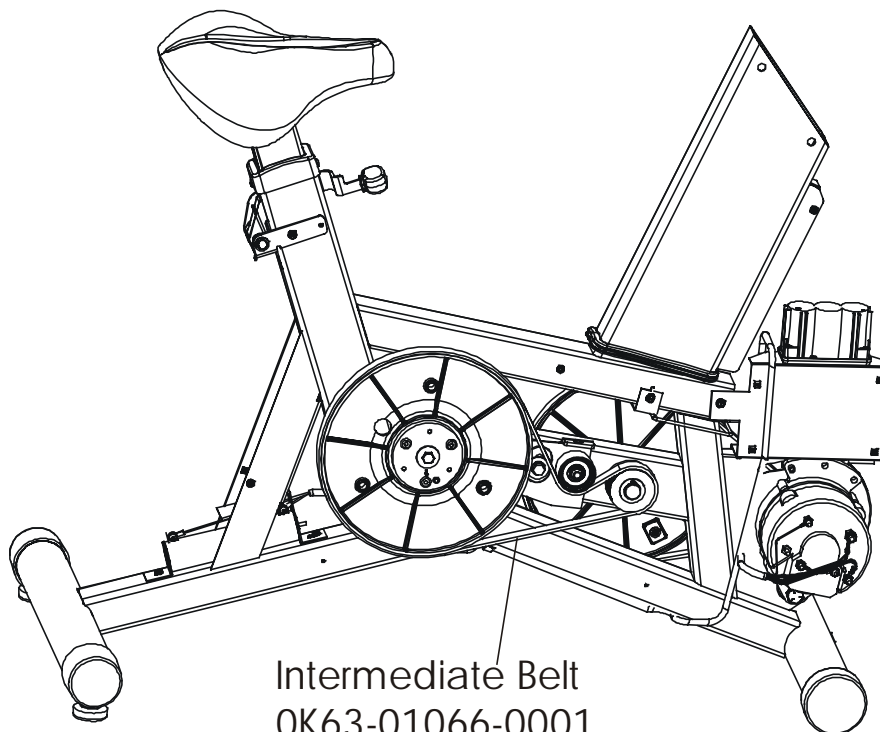


Note: AK63-00091-0000 Assembly includes all parts above.

\*Items with an Asterisk (\*) symbol next to the part name, are "Hot-Linked" to the block diagram on the last page.



Alternator Belt  
OK63-01065-0000



Intermediate Belt  
OK63-01066-0001

